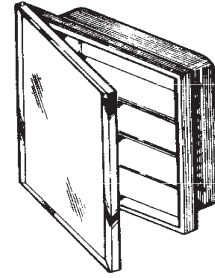


STYLELINE SERIES MOLDED BATH CABINETS



Standard models - for recessed installation

FEATURES

- Easy to clean, one-piece, injection-molded polystyrene construction
- Glass Mirror
- Stainless steel frame
- Butt hinge
- Polystyrene shelves (fixed or adjustable)
- Reversible - for left-hand or right-hand door opening
- Includes mounting hardware

TYPICAL SPECIFICATION

Bath cabinet shall be NuTone Styleline Series Model 401ADJ, (407ADJ), and (624).

Bath cabinet shall be of one-piece, injection-molded polystyrene construction.

Glass mirror shall have full surround of stainless steel frame with tab, clip, or screw closure.

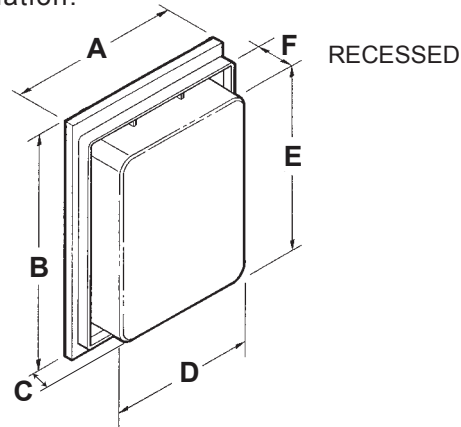
Door back shall be fitted tight within the frame and finished in white.

Cabinet shall have butt hinges.

Cabinet shall be reversible for left-hand or right-hand installation.

RECESSED CABINETS

MODEL NO.	OVERALL SIZE			WALL OPENING			SHELVES
	A	B	C	D	E	F	
401ADJ	16	20	3 ³ / ₄	14	18	2 ¹ / ₂	2 (adj)
407ADJ	16	22	3 ³ / ₄	14	18	2 ¹ / ₂	2 (adj)
624	16	26	4 ¹ / ₂	13 ⁷ / ₈	23 ⁷ / ₈	2 ⁷ / ₈	3 (fixed)



Broan-NuTone Storage Solutions, 501 S. Wilhite Street, Cleburne, TX 76031 (1-800-325-8351)

REFERENCE	QTY.	REMARKS	Project
			Location
			Architect
			Engineer
			Contractor
			Submitted by
			Date